

Type:	Suspension	
Light source:	A07S20W 12W, 2700K, CRI 90	922 lm
	0-10V at 120/277V and phase-cut at 120V only	
	A07S20 12W, 3000K, CRI 90	957 lm
	0-10V at 120/277V and phase-cut at 120V only	
	A07S20C 12W, 3500K, CRI 90	1005 lm
	0-10V at 120/277V and phase-cut at 120V only	
	A07S37WN - A07S55WN 19W, 2700K, CRI 90	1282 lm
	0-10V at 120/277V and phase-cut at 120V only	
	A07S37N - A07S55N 19W, 3000K, CRI 90	1331 lm
	0-10V at 120/277V, phase-cut at 120V only	
	A07S86W LED MODULE 26W, 2700K, CRI 90	1830 lm
	0-10V at 120/277V, phase-cut at 120V only	
	A07S86 LED MODULE 26W, 3000K, CRI 90	1908 lm
	0-10V at 120/277V, phase-cut at 120V only	
	A07S86C LED MODULE 26W, 3500K, CRI 90	2007 lm
	0-10V at 120/277V, phase-cut at 120V only	
A07S11WN 26W, 2700K, CRI 90	1839 lm	
0-10V at 120/277V, phase-cut at 120V only		
A07S11N 26W, 3000K, CRI 90	1908 lm	
0-10V at 120/277V, phase-cut at 120V only		
A07S37CN-A07S55CN 19W, 3500K, CRI 90	1399 lm	
0-10V at 120/277V and phase-cut at 120V only		
A07S11CN 26W, 3500K, CRI 90	2007 lm	
0-10V at 120/277V and phase-cut at 120V only		

Product use: Indoor

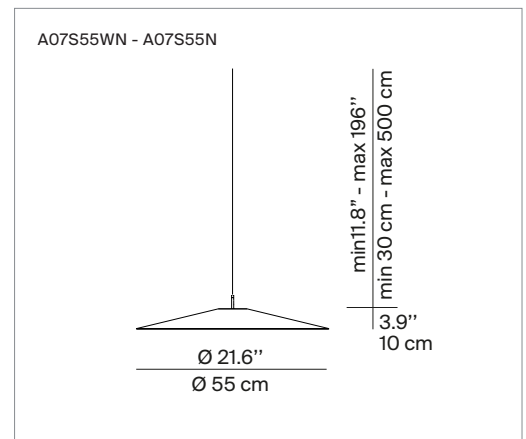
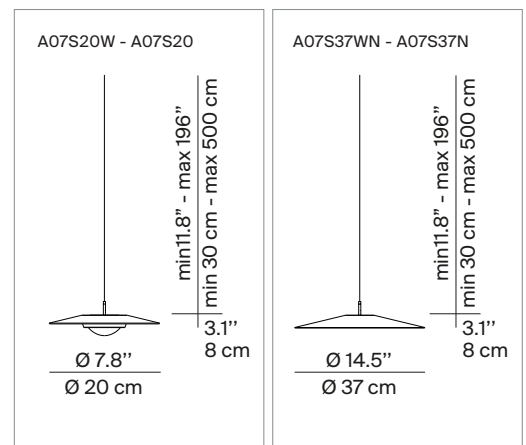
Materials: Aluminium structure, glass lens

Colors: Matt black, matt white

Description: Elegance and purity in form characterise the “Koinè” family of pendant lights, named for its meaning of “shared language” and for its shapes which make it extremely versatile. The light source features a specially designed mineral lens. The light beam distributed by the lens is homogenous and distinct, a broad cone of light with clearly-defined edges.

Rating: 120-277 V ~ 50/60 Hz
A07S20W + A07/3D 15W
A07S20 + A07/3D 15W
A07S20C + A07/3D 15W
A07S37WN+ A07/1D 20W
A07S37N + A07/1D 20W
A07S37CN + A07/1D 20W
A07S55WN + A07/1D 20W
A07S55N + A07/1D 20W
A07S55CN + A07/1D 20W
A07S86W + A07/1D 28W
A07S86 + A07/1D 28W
A07S86C + A07/1D 28W
A07S11WN + A07/2D 28W
A07S11N + A07/2D 28W
A07S11CN + A07/2D 28W

Mark: 



Structure Ø 7,8", 2700K

Reference code: **A07S20W** 1A070S20W001 matt black
1A070S20W002 matt white

Structure Ø 14.5", 2700K

Reference code: **A07S37WN** 1A07NS37W001 matt black
1A07NS37W002 matt white

Structure Ø 21.6", 2700K

Reference code: **A07S55WN** 1A07NS55W001 matt black
1A07NS55W002 matt white

Structure Ø 43.3", 2700K

Reference code: **A07S11WN** 1A07NS11W001 matt black
1A07NS11W002 matt white

Structure Ø 33.85", 2700K

Reference code: **A07S86W** 1A070S86W001 matt black
1A070S86W002 matt white

Structure Ø 7,8", 3000K

Reference code: **A07S20** 1A070S2000001 matt black
1A070S2000002 matt white

Structure Ø 14.5", 3000K

Reference code: **A07S37N** 1A07NS3700001 matt black
1A07NS3700002 matt white

Structure Ø 21.6", 3000K

Reference code: **A07S55N** 1A07NS5500001 matt black
1A07NS5500002 matt white

Structure Ø 43.3", 3000K

Reference code: **A07S11N** 1A07NS1100001 matt black
1A07NS1100002 matt white

Structure Ø 33.85", 3000K

Reference code: **A07S86** 1A070S860001 matt black
1A070S860002 matt white

Structure Ø 43.3", 3500K

Reference code: **A07S20C** 1A070S20C001 matt black
1A070S20C002 matt white

Structure Ø 14.5", 3500K

Reference code: **A07S37CN** 1A07NS37C001 matt black
1A07NS37C002 matt white

Structure Ø 21.6", 3500K

Reference code: **A07S55CN** 1A07NS55C001 matt black
1A07NS55C002 matt white

Structure Ø 33.85", 3500K

Reference code: **A07S86C** 1A070S86C001 matt black
1A070S86C002 matt white

Structure Ø 43.3", 3500K

Reference code: **A07S11CN** 1A07NS11C001 matt black
1A07NS11C002 matt white

Ceiling rose

A07/1D 1A070/01D501 matt black
1A070/01D502 matt white

for A07S37WN, A07S37N, A07S37CN, A07S55WN,
A07S55N, A07S55CN

A07/2D 1A070/02D501 matt black
1A070/02D502 matt white

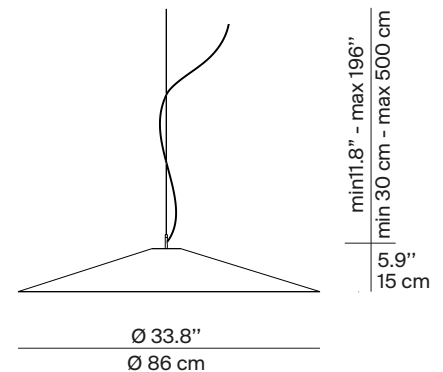
for A07S86W, A07S86, A07S86C, A07S11WN,
A07S11CN

A07/3D 1A070/03D501 matt black
1A070/03D502 matt white

for A07S20W, A07S20, A07S20C



A07S86W - A07S86



A07S11W - A07S11

